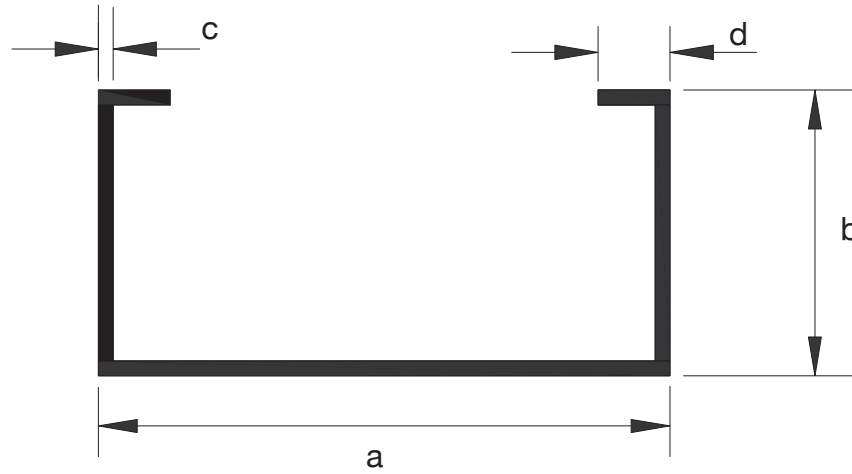


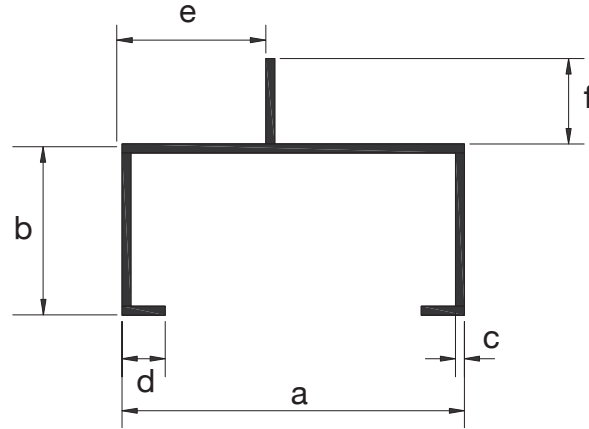
REFERENCIA [REFERENCE]	DIMENSIONES [SIZES]						PESO [WEIGHT]		PERIMETRO ACABADO [PERIMETER]	
	a		b		c		kg / m	[lbs / ft]	mm	[inch.]
	mm	[inch.]	mm	[inch.]	mm	[inch.]				
ALÉ-CH168	60,000	2 3/8	30,000	1,181	1,500	1/16	0,476	0,320	237,000	9,331
ALÉ-CH7315	16,000	5/8	16,000	5/8	1,300	3/64	0,159	0,107	91,680	3,609
ALÉ-034	76,000	3	38,000	1 1/2	7,000	9/32	2,492	1,675	286,850	11,293
ALÉ-1581	12,400	1/2	4,400	11/64	1,200	3/64	0,061	0,041	38,970	1,534
ALÉ-2168	25,400	1	12,700	1/2	1,200	3/64	0,157	0,106	99,200	3,906
FVD001	32,000	1 1/4	25,500	1	1,500	1/16	0,325	0,218	163,000	6,417
FVD003	28,800	1 1/8	10,000	25/64	1,500	1/16	0,151	0,102	95,600	3,764
ALÉ-E301	45,700	1 25/32	19,500	25/32	1,300	3/64	0,289	0,194	166,700	6,563
ALÉ-ET031	40,400	1 19/32	36,100	1 7/16	1,100	1/32	0,329	0,221	223,000	8,780
ALÉ-ET036	37,400	1 15/32	18,700	47/64	1,200	3/64	0,235	0,158	147,200	5,795
ALÉ-ET449	37,800	1 15/32	30,000	1,181	1,300	3/64	0,335	0,225	193,000	7,598
ALÉ-S377	40,000	1 9/16	25,000	1	1,200	3/64	0,285	0,192	177,600	6,992
ALÉ-U020	20,000	25/32	12,000	1/2	1,200	5/64	0,137	0,092	85,025	3,347
ALÉ-U026	15,000	19/32	5,000	3/16	1,200	3/64	0,072	0,048	46,140	1,817
ALÉ-U054	25,400	1	25,400	1	1,500	1/16	0,297	0,200	149,400	5,882
ALÉ-U062M	76,700	3 1/32	38,000	1 1/2	4,000	5/32	0,195	0,997	297,170	11,700
ALÉ-UA068	9,500	3/8	12,500	1/2	1,100	1/32	0,096	0,064	66,800	2,630
ALÉ-UB068	9,500	3/8	12,500	1/2	0,980	1/32	0,086	0,058	67,040	2,639
ALÉ-U073	9,500	3/8	10,000	25/64	1,120	1/32	0,082	0,055	56,760	2,235
ALÉ-U074	13,000	1/2	13,000	1/2	1,100	1/32	0,110	0,073	75,800	2,984
ALÉ-UA074	13,000	1/2	13,000	1/2	1,000	1/32	0,096	0,065	76,080	2,995
VIA004	15,000	19/32	20,000	25/32	1,150	1/32	0,164	0,110	106,330	4,186
VIA005	15,000	19/32	25,000	1	1,150	1/32	0,195	0,131	126,330	4,974

NOTA: Las dimensiones en milímetros son exactas. Las dimensiones en pulgadas son aproximadas.
NOTE: Sizes in millimeters are exact. Dimensions in inches are approximate.

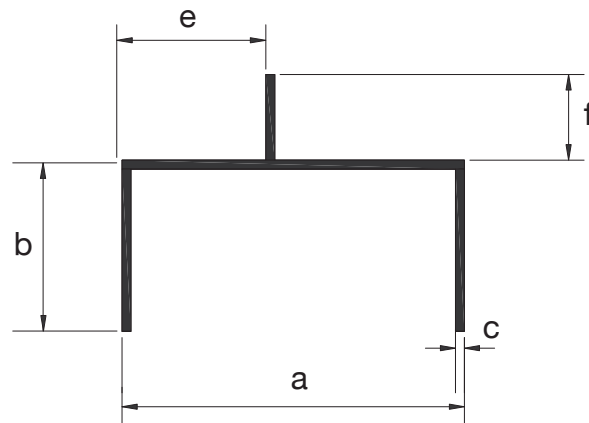


REFERENCIA [REFERENCE]	DIMENSIONES [SIZES]								PESO [WEIGHT]		PERIMETRO ACABADO [PERIMETER]	
	a		b		c		d		kg / m	[lbs / ft]	mm	[inch.]
	mm	[inch.]	mm	[inch.]	mm	[inch.]	mm	[inch.]				
ALÉ-CH5320	11,000	27/64	10,000	25/64	1,000	1/32	3,000	1/8	0,089	0,060	66,970	2,637
ALÉ-CH5321	16,000	0,63	11,500	0,453	1,000	1/32	5,500	7/32	0,124	0,083	92,970	3,660
ALÉ-490	44,000	1 23/32	10,900	0,429	1,200	3/64	10,900	27/64	0,269	0,181	168,000	6,614
ALÉ-490M	44,000	1 23/32	15,000	19/32	1,200	3/64	10,900	27/64	0,296	0,199	184,400	7,260
ALÉ-U037	76,000	3	38,000	1 1/2	1,600	1/16	6,300	1/4	0,715	0,481	320,800	12,630
ALÉ-UA037	76,000	3	38,000	1 1/2	1,500	1/16	6,300	1/4	0,643	0,432	318,230	12,529
ALÉ-U044	102,000	4	45,000	1 3/4	2,000	5/64	12,500	1/2	1,133	0,762	422,000	16,614
ALÉ-U044M	102,000	4	45,000	1 3/4	1,600	1/16	12,500	1/2	0,901	0,606	422,060	16,617
ALÉ-U055	76,000	3	25,000	1	1,600	1/16	3,000	1/8	0,545	0,366	254,400	10,016
ALÉ-U062	76,000	3	38,000	1 1/2	1,800	5/64	12,500	1/2	0,828	0,557	343,200	13,512
ALÉ-U067	50,000	2	25,000	1	1,300	3/64	6,300	1/4	0,378	0,254	217,400	8,559
ALÉ-UA067	50,000	2	25,000	1	1,200	3/64	6,300	1/4	0,349	0,235	216,280	8,515
ALÉ-U071	38,000	1 1/2	19,000	3/4	1,300	3/64	6,200	1/4	0,293	0,197	169,000	6,654

NOTA: Las dimensiones en milímetros son exactas. Las dimensiones en pulgadas son aproximadas.
NOTE: Sizes in millimeters are exact. Dimensions in inches are approximate.

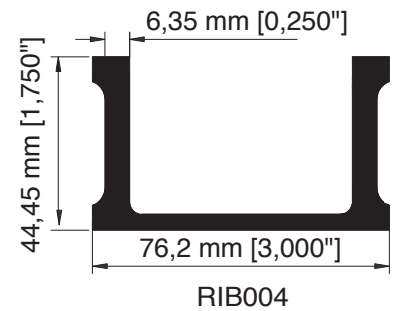
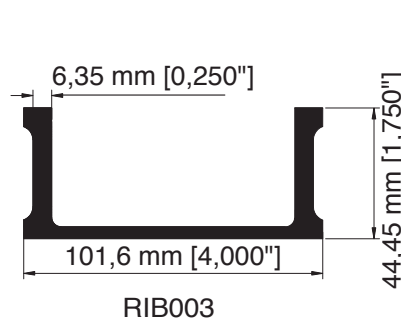
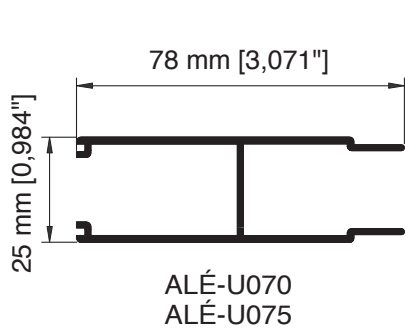
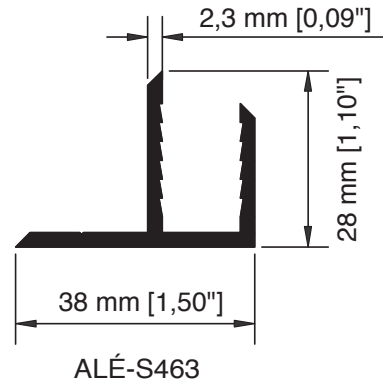
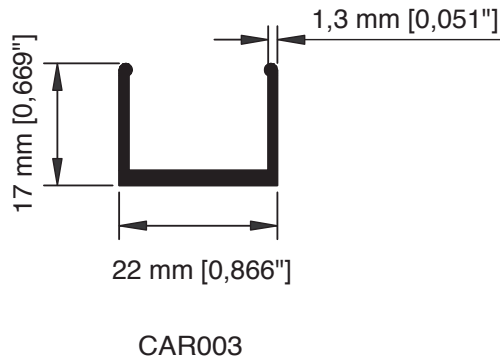
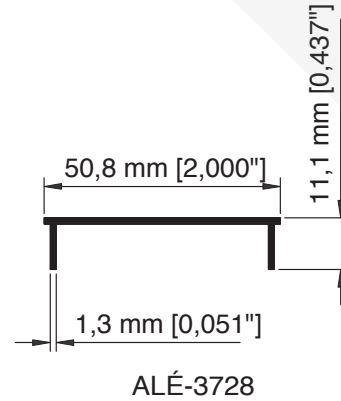
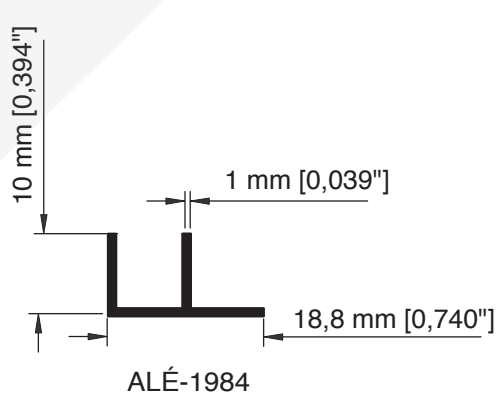


REFERENCIA [REFERENCE]	DIMENSIONES [SIZES]												PESO [WEIGHT]		PERIMETRO ACABADO [PERIMETER]	
	a		b		c		d		e		f		kg / m	[lbs / ft]	mm	[inch.]
	mm	[inch.]	mm	[inch.]	mm	[inch.]	mm	[inch.]	mm	[inch.]	mm	[inch.]				
ALÉ-1143	50.800	2	23.800	0.937	1.100	1/32	9.800	3/8	24.850	0.978	12.700	1/2	0.377	0.253	254.800	10.031
ALÉ-CH1765	76.200	3	25.400	1	1.400	3/64	6.350	1/4	34.800	1 3/8	12.700	1/2	0.554	0.372	293.910	11.571
CAR188	101.600	4	57.100	2.248	1.700	1/16	12.700	1/2	49.950	1 31/32	12.700	1/2	1.021	0.686	446.800	17.591
CARA188	101.600	4	57.100	2.248	1.600	1/16	12.700	1/2	50.000	2	12.700	1/2	0.945	0.635	447.580	17.621
CAR192	76.200	3	44.400	1.748	1.700	1/16	9.500	3/8	24.400	31/32	12.700	1/2	0.872	0.586	381.020	15.001
CAR196	76.200	3	25.400	1	1.700	1/16	14.100	9/16	37.250	1 15/32	12.700	1/2	0.742	0.499	325.600	12.819
ALÉ-U057	76.000	3	25.000	1	1.600	1/16	6.300	1/4	40.000	1 9/16	12.500	1/2	0.627	0.422	292.600	11.520
ALÉ-UB066	50.000	2	25.000	1	1.150	1/32	6.300	1/4	21.000	53/64	12.500	1/2	0.374	0.251	242.400	9.543
ALÉ-UA069	76.000	3	38.000	1 1/2	1.400	3/64	6.000	15/64	34.500	1 3/8	12.500	1/2	0.678	0.456	345.800	13.614
ALÉ-UB069	76.000	3	38.000	1 1/2	1.300	3/64	6.000	15/64	34.500	1 3/8	12.500	1/2	0.604	0.406	342.550	13.486
ALÉ-U078	76.000	3	25.500	1	1.400	3/64	6.000	15/64	40.100	1 19/32	12.500	1/2	0.553	0.372	294.600	11.598
ALÉ-UA078	76.000	3	25.500	1	1.260	3/64	6.000	15/64	40.100	1 19/32	12.500	1/2	0.499	0.335	295.440	11.631
ALÉ-UB078	76.000	3	25.500	1	1.200	5/64	6.000	15/64	40.100	1 19/32	12.500	1/2	0.477	0.321	295.800	11.646
ALÉ-U089	50.000	2	37.700	1 15/32	1.200	5/64	6.300	1/4	40.000	1 9/16	12.700	1/2	0.391	0.263	243.400	9.583



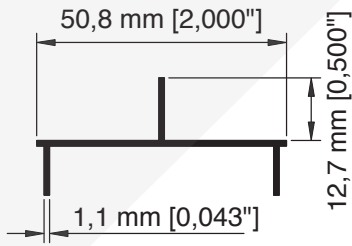
REFERENCIA [REFERENCE]	DIMENSIONES [SIZES]										PESO [WEIGHT]		PERIMETRO ACABADO [PERIMETER]	
	a		b		c		d		e		kg / m	[lbs / ft]	mm	[inch.]
	mm	[inch.]	mm	[inch.]	mm	[inch.]	mm	[inch.]	mm	[inch.]				
ALÉ-1139	50.800	2	23.800	15/16	1.100	1/32	24.850	31/32	12.700	1/2	0.325	0.218	220.000	8.661
CAR194	44.400	1 3/4	25.400	1	1.400	3/64	21.500	27/32	12.700	1/2	0.397	0.270	211.200	8.315

NOTA: Las dimensiones en milímetros son exactas. Las dimensiones en pulgadas son aproximadas.
NOTE: Sizes in millimeters are exact. Dimensions in inches are approximate.

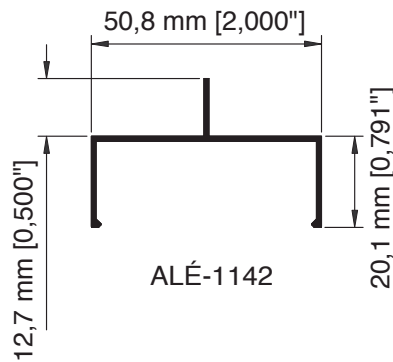


REFERENCIA [REFERENCE]	PESO [WEIGHT]		PERIMETRO ACABADO [PERIMETER]	
	kg / m	[lbs / ft]	mm	[inch.]
ALÉ-1984	0,099	0,067	75,600	2,976
ALÉ-3728	0,248	0,167	143,400	5,646
CAR003	0,232	0,156	107,640	4,238
ALÉ-S463	0,480	0,323	175,160	6,896
ALÉ-U070	0,805	0,541	381,360	15,014
ALÉ-U075	0,710	0,477	337,360	13,282
RIB003	2,710	1,822	375,930	14,800
RIB004	2,430	1,634	325,130	12,800

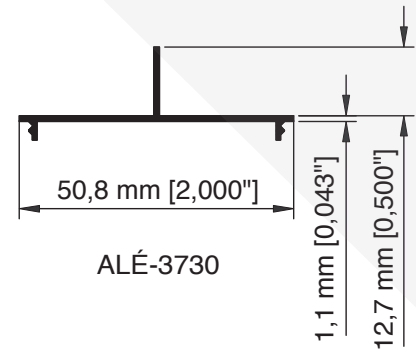
NOTA: Las dimensiones en milímetros son exactas. Las dimensiones en pulgadas son aproximadas.
NOTE: Sizes in millimeters are exact. Dimensions in inches are approximate.



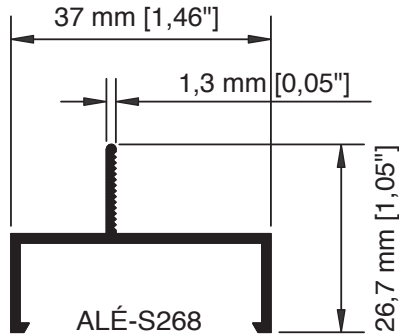
ALÉ-1140



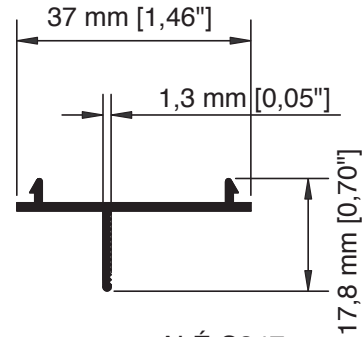
ALÉ-1142



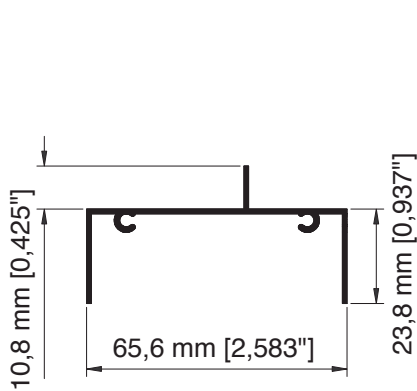
ALÉ-3730



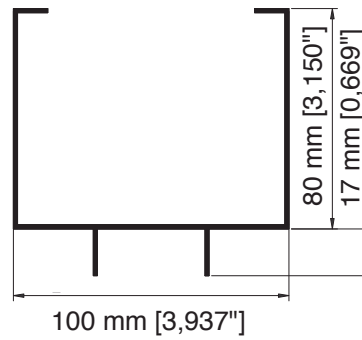
ALÉ-S268



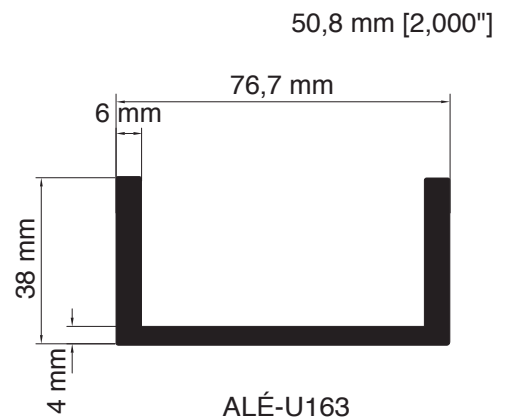
ALÉ-S347



ALÉ-U043



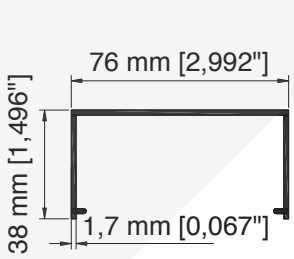
ALÉ-U076



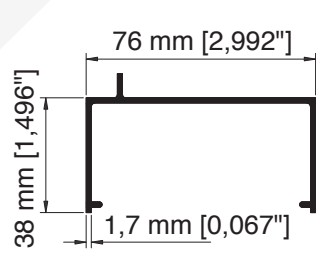
ALÉ-U163

REFERENCIA [REFERENCE]	PESO [WEIGHT]		PERIMETRO ACABADO [PERIMETER]	
	kg / m	[lbs / ft]	mm	[inch.]
ALÉ-1140	0,249	0,167	169,200	6,661
ALÉ-1142	0,309	0,208	207,390	8,165
ALÉ-3730	0,210	0,141	143,270	5,641
ALÉ-S268	0,264	0,177	160,980	6,338
ALÉ-S347	0,195	0,131	122,130	4,808
ALÉ-U043	0,458	0,308	275,480	10,846
ALÉ-U076	1,272	0,855	629,000	24,764
ALÉ-U163	1,937	1,302	296,370	11,668

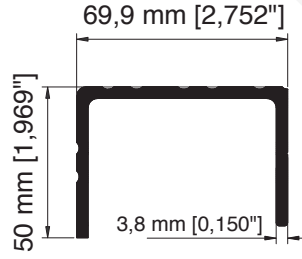
NOTA: Las dimensiones en milímetros son exactas. Las dimensiones en pulgadas son aproximadas.
NOTE: Sizes in millimeters are exact. Dimensions in inches are approximate.



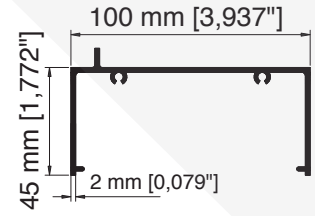
ALÉ-183



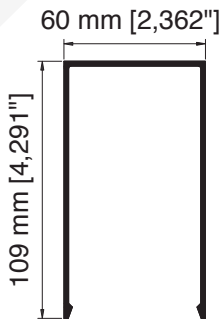
ALÉ-183M



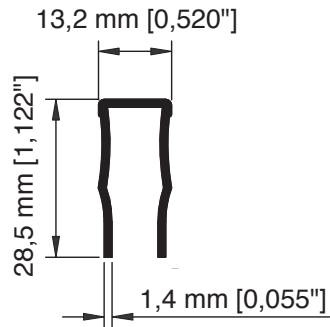
ALÉ-E008



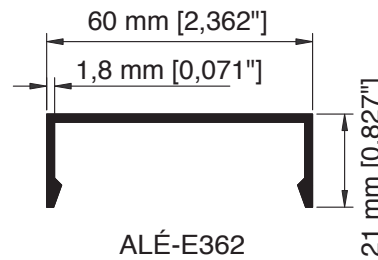
ALÉ-E086



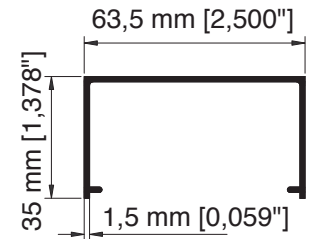
ALÉ-E173
ALÉ-E173M



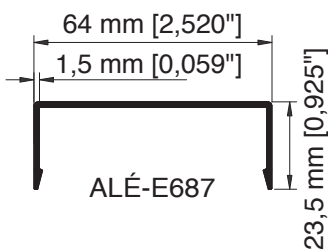
ALÉ-E298



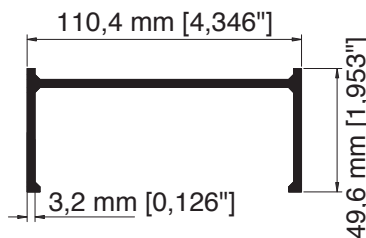
ALÉ-E362



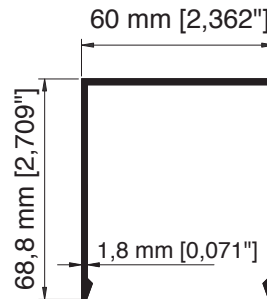
ALÉ-E442



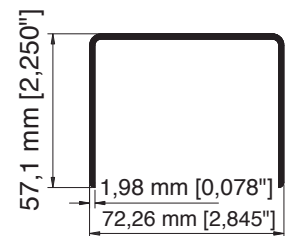
ALÉ-E687



ALÉ-E751



ALÉ-E813



FOL3401

REFERENCIA [REFERENCE]	PESO [WEIGHT]		PERIMETRO ACABADO [PERIMETER]	
	kg / m	[lbs / ft]	mm	[inch.]
ALÉ-183	0,720	0,484	312,420	12,300
ALÉ-183M	0,757	0,509	327,570	12,896
ALÉ-E008	1,590	1,068	322,180	1,268
ALÉ-E086	1,184	0,796	439,470	17,302
ALÉ-E173	1,477	0,993	548,320	21,587
ALÉ-E173M	1,512	1,016	552,790	21,763
ALÉ-E298	0,259	0,174	137,470	5,412
ALÉ-E362	0,506	0,340	200,000	7,874
ALÉ-E442	0,547	0,368	268,280	10,562
ALÉ-E687	0,440	0,296	217,800	8,575
ALÉ-E751	1,816	1,220	413,770	16,290
ALÉ-E813	0,972	0,653	393,130	15,478
FOL3401	0,960	0,645	361,830	14,245

NOTA: Las dimensiones en milímetros son exactas. Las dimensiones en pulgadas son aproximadas.
NOTE: Sizes in millimeters are exact. Dimensions in inches are approximate.