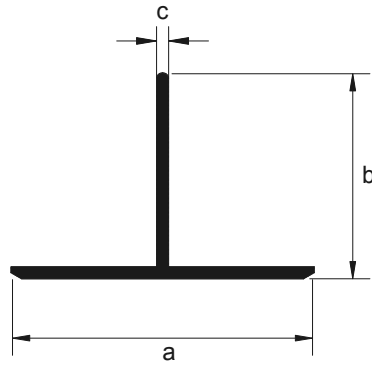
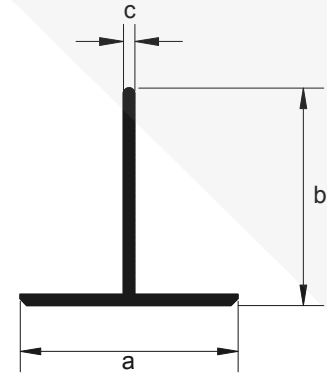


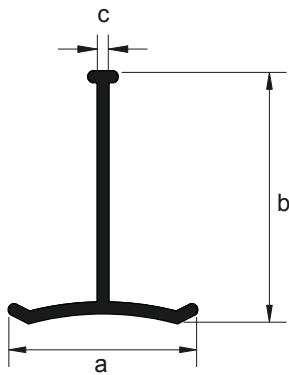
ALÉ-D011



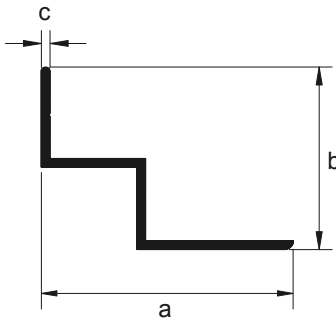
ALÉ-DA017  
ALÉ-DB017



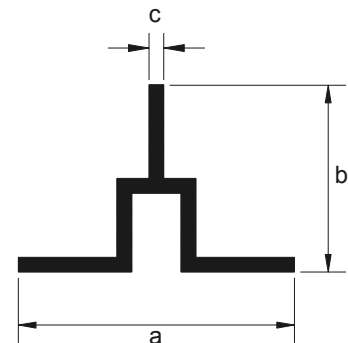
ALÉ-DA019  
ALÉ-DB019



ALÉ-D020M



ALÉ-SA230



ALÉ-S340

REFERENCIA [REFERENCE]	DIMENSIONES [SIZES]						PESO [WEIGHT]		PERIMETRO ACABADO [PERIMETER]	
	a		b		c		kg / m	[lbs / ft]	mm	[ inch.]
	mm	[ inch.]	mm	[ inch.]	mm	[ inch.]				
ALÉ-D011	25,000	0,980	25,000	0,980	1,400	0,055	0,184	0,124	100,000	3,937
ALÉ-DA017	25,000	0,980	17,000	0,670	1,000	0,039	0,110	0,074	82,840	3,261
ALÉ-DB017	25,000	0,980	17,000	0,670	0,900	0,035	0,095	0,064	82,960	3,266
ALÉ-DA019	19,000	0,750	19,000	0,750	1,000	0,039	0,100	0,067	74,870	2,948
ALÉ-DB019	19,000	0,750	19,000	0,750	0,900	0,035	0,085	0,057	75,470	2,971
ALÉ-D020M	19,000	0,750	25,400	1,000	1,100	0,043	0,132	0,089	89,890	3,539
ALÉ-D028M	29,865	1,173	17,000	0,669	0,800	0,031	0,081	0,053	76,990	2,992
ALÉ-SA230	29,000	1,140	21,000	0,830	1,000	0,039	0,131	0,088	99,280	3,909
ALÉ-S340	28,000	1,140	19,000	0,750	1,500	0,059	0,217	0,146	110,000	4,331